

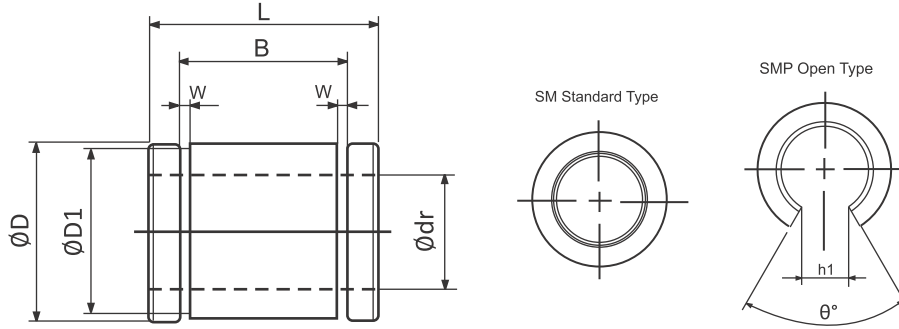
Ordering Key : SM 20

1 2

1 SM Standard Type Self-Lubricated Linear Bearing
SMP Open Type Self-Lubricated Linear Bearing

2 Bearing Inner Diameter

SM-SMP



Model NO		Inner Dia Ødr(F8)	ØD(F6)	L	B	W	ØD1	h1	θ°
Standard Type	Open Type								
SM6	–	6	12	19	13.5	1.15	11.5	–	–
SM8	–	8	15	24	17.5	1.15	14.3	–	–
SM10	SMP10	10	19	29	22.0	1.35	18.0	6.8	80°
SM12	SMP12	12	21	30	23.0	1.35	20.0	8	80°
SM13	SMP13	13	23	32	23.0	1.35	22.9	9	80°
SM16	SMP16	16	28	37	26.5	1.65	26.6	11	80°
SM20	SMP20	20	32	42	30.5	1.65	30.3	11	60°
SM25	SMP25	25	40	59	41.0	1.90	38.0	12	50°
SM30	SMP30	30	45	64	44.5	1.90	42.5	15	50°
SM35	SMP35	35	52	70	49.5	2.20	49.0	17	50°
SM40	SMP40	40	60	80	60.5	2.20	57.0	20	50°
SM50	SMP50	50	80	100	74.0	2.70	76.5	25	50°
SM60	SMP60	60	90	110	85.0	3.15	86.5	30	50°
Model NO		Max. Static Load kgf	Max. PV kgf *m/sec	Max. Speed m/sec	Weight (g)				
Standard Type	Open Type				SM	SMP			
SM6	–	80	4.1	2	4.4	–			
SM8	–	130	6.9	2	8.3	–			
SM10	SMP10	200	10.4	2	16.2	12.5			
SM12	SMP12	250	12.9	2	19	13.9			
SM13	SMP13	290	14.9	2	24.6	17.9			
SM16	SMP16	410	21.2	2	41.7	30.0			
SM20	SMP20	580	30.1	2	56	43.4			
SM25	SMP25	1000	52.8	2	122.8	99.2			
SM30	SMP30	1300	68.7	2	153.7	123.5			
SM35	SMP35	1700	87.7	2	221	177.8			
SM40	SMP40	2200	115.0	2	341.6	275.6			
SM50	SMP50	3500	179.0	2	823.7	279.8			
SM60	SMP60	4600	236.0	2	1057	860.8			

